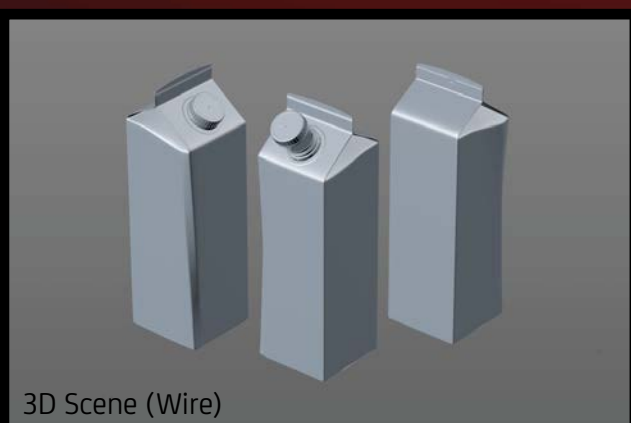




Final Render



Elopak Pure-Pak Sense Aseptic 1000ml with opening

Product Id Model_0000581

What's Included:

- Packaging 3D Models in OBJ and FBX file formats
- Cinema 4D R16-19 Scene File (.C4D)
- Textures with layered TIFF file and UV-Mesh (4000x4000pix 300dpi), HDR1, Materials
- UV layout
- Renders, PDF readme

All Models Are High Poly

Note: you should have Octane Render 3.x get installed to render Cinema 4D scene file



FBX and OBJ file formats are compatible with software:

All Autodesk programs, such as: Maya, 3D Max, Mudbox, AutoCAD, Inventor, MotionBuilder, Revit, Softimage, Alias etc.; ZBrush, MODO, 3D Coat, Adobe Photoshop, Keyshot, Rhinoceros, SketchUp, NewTek Lightwave, Vue xStream, SolidWorks, Houdini, Blender, Unreal Engine etc.



