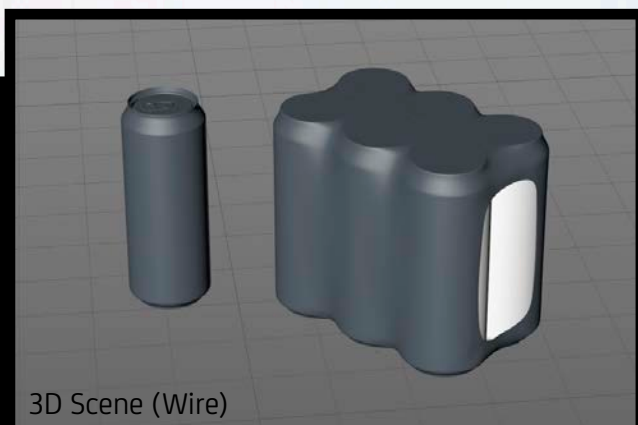




Final Render



3D Scene (Wire)

6 Shrink Film packaging with Ball/Rexam Metal Can 500ml v2 (WITHOUT WRINKLES)

Product Id Model_0000608-2

What's Included:

- Packaging 3D Models in OBJ and FBX file formats
- Cinema 4D R16-19 Scene File (.C4D)
- Textures with layered TIFF file and UV-Mesh (4000x4000pix 300dpi), HDRI, Materials
- UV layout
- Renders, PDF readme

All Models Are High Poly

Note: you should have Octane Render 3.x get installed to render Cinema 4D scene file



FBX and OBJ file formats are compatible with software:

All Autodesk programs, such as: Maya, 3D Max, Mudbox, AutoCAD, Inventor, MotionBuilder, Revit, Softimage, Alias etc.; ZBrush, MODO, 3D Coat, Adobe Photoshop, Keyshot, Rhinoceros, SketchUp, NewTek Lightwave, Vue xStream, SolidWorks, Houdini, Blender, Unreal Engine etc.



Free updates for customer

Professional highly detailed
of Rexam/Ball packaging
Aluminum Soda Can 500ml
6 Shrink film packaging

What's included:

- 3D Model in OBJ and FBX file
with packaging and closer
- Cinema 4D R16-19 scene (C4D)
- Textures with layered TIF file
(4000x4000 pixels, 300dpi)
- UV layout ready
- Renders (2560x1707 pixels)

©2018 WaldemarArt Design Studio
www.Waldemar-Art.com
MADE IN GERMANY











