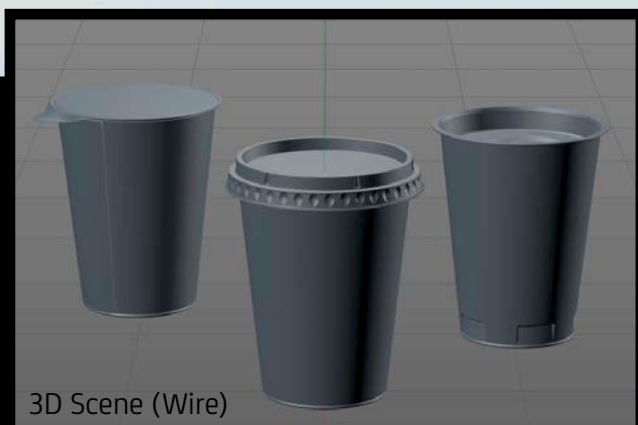




Final Render



3D Scene (Wire)

Yoghurt Plastic Cup 400ml with carton label, lid and yoghurt.

Product Id Model_0000656

What's Included:

- Packaging 3D Models in OBJ and FBX file formats
- Cinema 4D R16-20 Scene File (.C4D)
- Textures with layered TIFF file and UV-Mesh (4000x4000pix 300dpi), HDRI, Materials
- UV layout
- Renders, PDF readme



FBX and OBJ file formats are compatible with software:
 All Autodesk programs, such as: Maya, 3D Max, Mudbox, AutoCAD, Inventor, MotionBuilder, Revit, Softimage, Alias etc.; ZBrush, MODO, 3D Coat, Adobe Photoshop, Keyshot, Rhinoceros, SketchUp, NewTek Lightwave, Vue xStream, SolidWorks, Houdini, Blender, Unreal Engine etc.

All Models Are High Poly

Note: you should have Octane Render 3.x get installed to render Cinema 4D scene file

















