



Final Render



3D Scene (Clay)

## Shaving Foam Metal Bottle 50ml

Product Id Model\_0000835

### What's Included:

- Packaging 3D Models in OBJ and FBX file formats
- Cinema 4D R16+ Scene File (.C4D)
- Textures with layered TIFF file and UV-Mesh (4000x4000pix 300dpi), HDRI, Materials
- UV layout
- Renders, PDF readme

**Note:** you should have Octane Render 3.x get installed to render Cinema 4D scene file



**FBX and OBJ file formats are compatible with software:** Maya, 3DS Max, Mudbox, AutoCAD, Inventor, Motion Builder, Revit, Softimage, ZBrush, MODO, 3D Coat, Keyshot SketchUp, Adobe Dimension CC, Rhinoceros, Lightwave, Vue xStream, SolidWorks, Houdini, Blender, Unreal Engine etc.



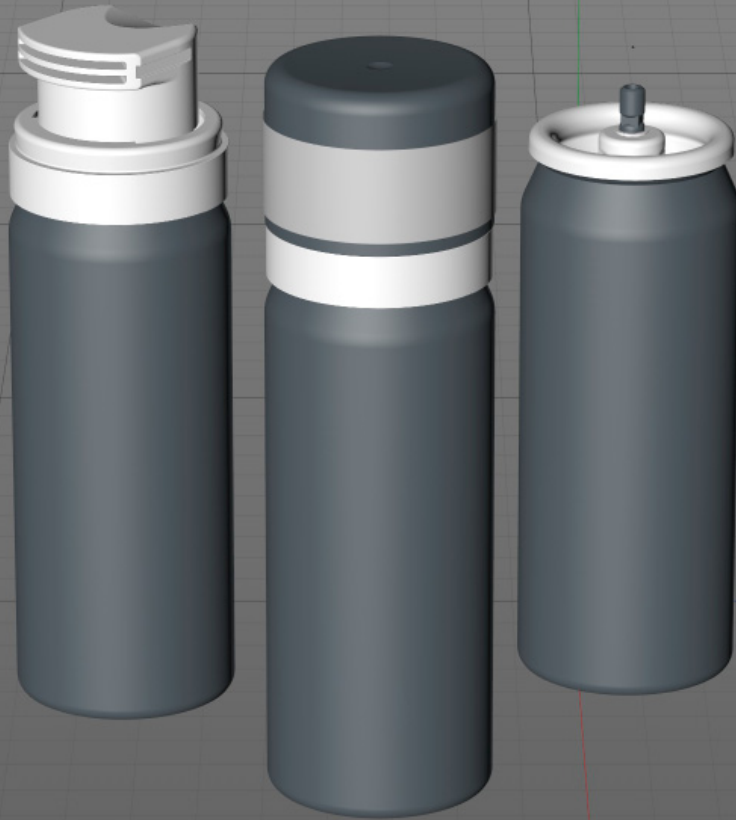


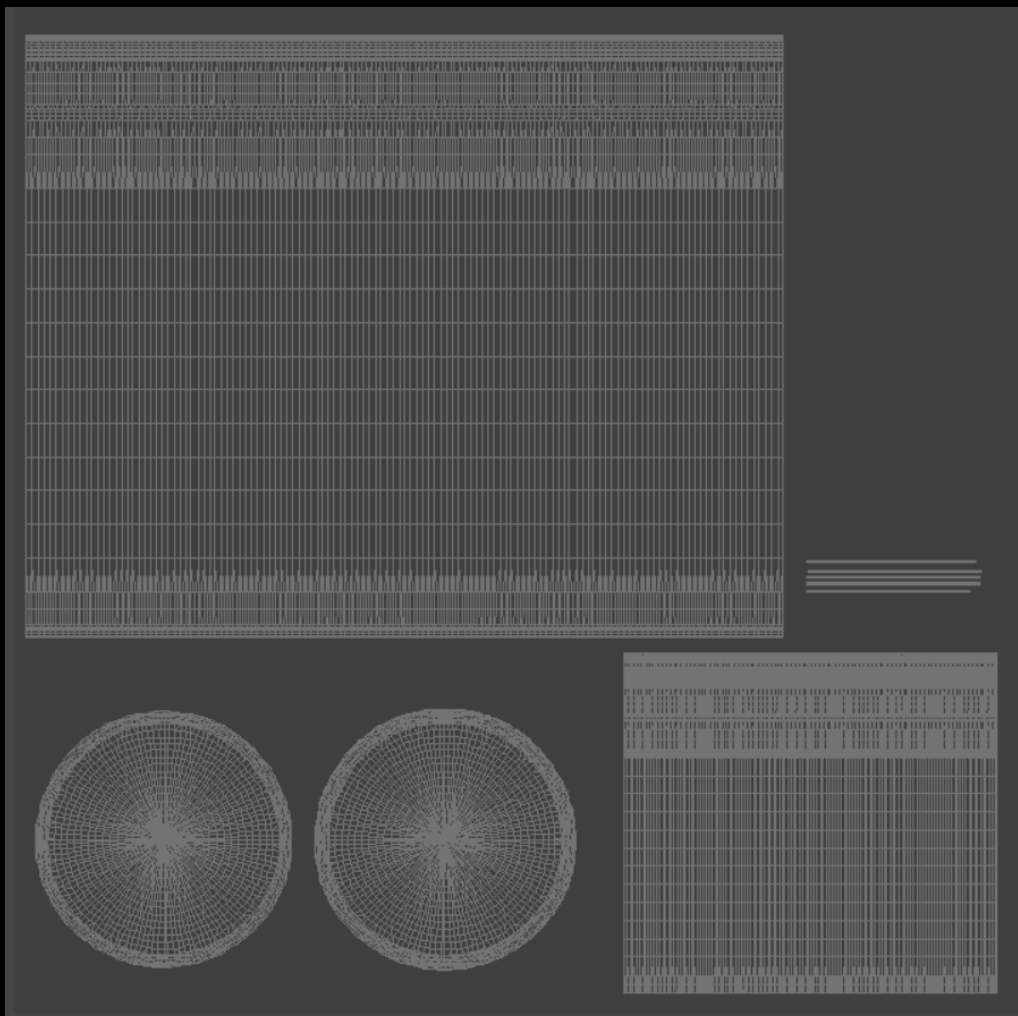
















Are you looking for already created 3D packaging models and design, where you don't need to worry about complicated studio and light settings? We are providing you opportunity to give up with long hour technical studio settings. Take a look at this fully textured scenes with professional shaders and lighting ready to use. Get your own professional packaging models, scenes and designs for personal or commercial use!

