



Final Render

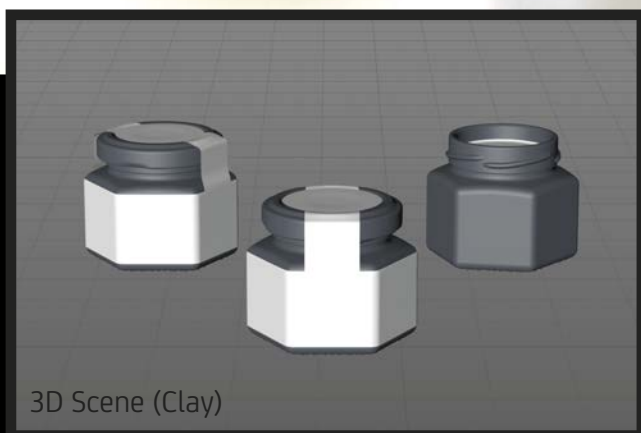
German Honey Glass Jar 125gl

Product Id Model_0000851

What's Included:

- Packaging 3D Models in OBJ and FBX file formats
- Cinema 4D R16+ Scene File (.C4D)
- Textures with layered TIFF file and UV-Mesh (4000x4000pix 300dpi), HDRI, Materials
- UV layout
- Renders, PDF readme

Note: you should have Octane Render 3.x get installed to render Cinema 4D scene file



FBX and OBJ file formats are compatible with software: Maya, 3DS Max, Mudbox, AutoCAD, Inventor, Motion Builder, Revit, Softimage, ZBrush, MODO, 3D Coat, Keyshot SketchUp, Adobe Dimension CC, Rhinoceros, Lightwave, Vue xStream, SolidWorks, Houdini, Blender, Unreal Engine etc.

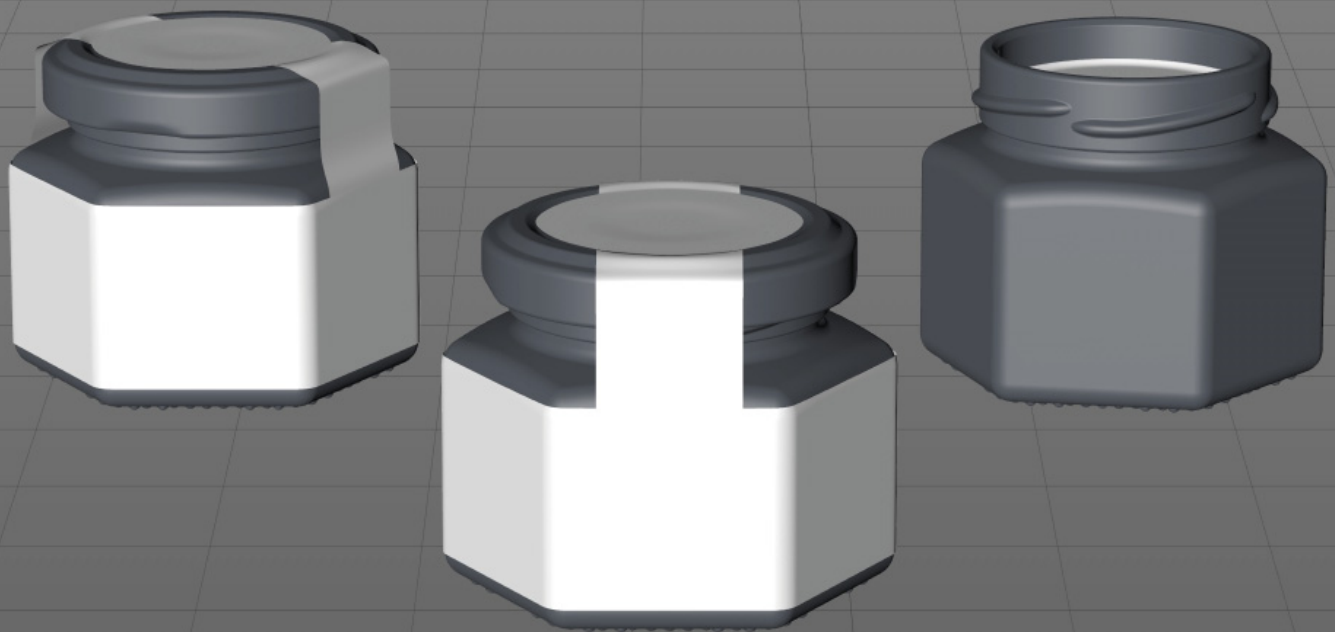


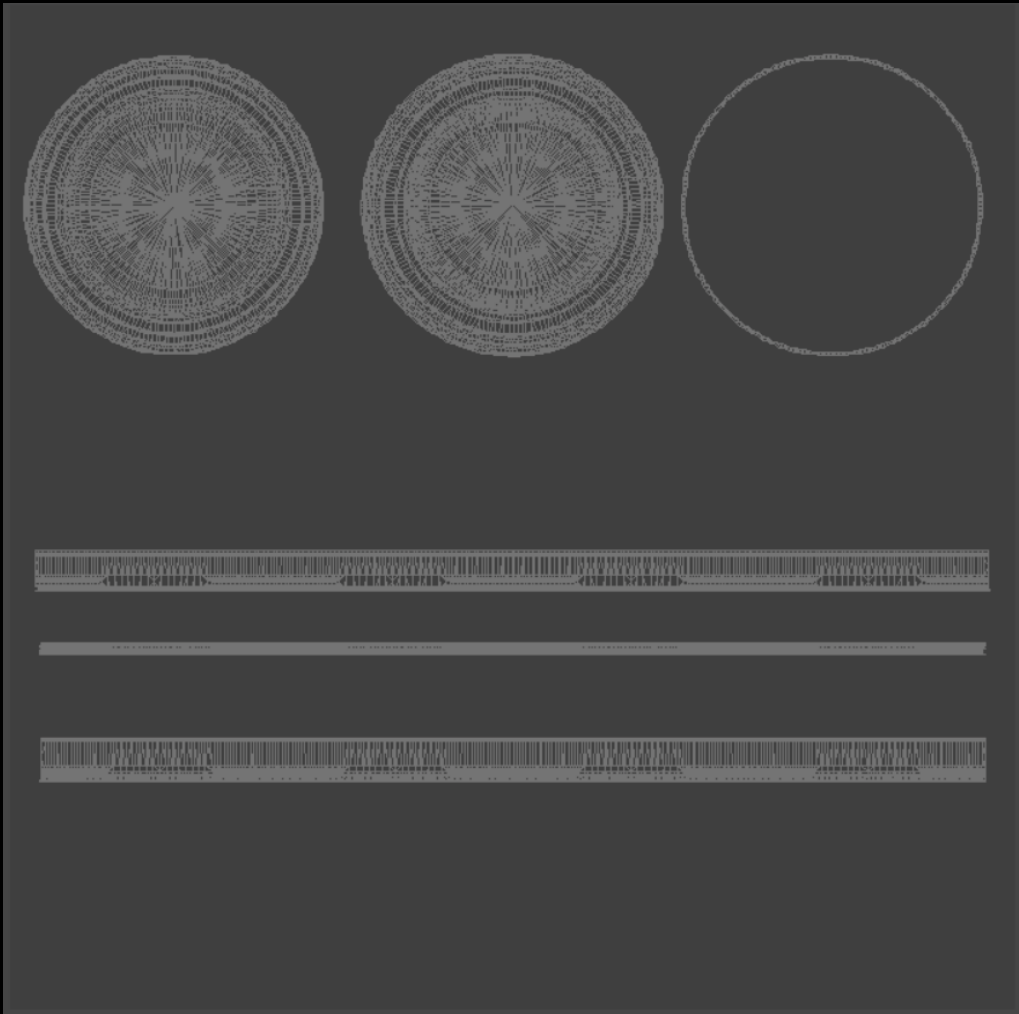


- Benefits:
- Packaging 3D model made of an original packaging
 - Premium highly detailed packaging 3D model
 - UV-ready,
 - Layered TIFF Textures with 4K resolution.
 - Best for Close ups
 - Very Easy to Use
 - Fast support for customer
- Art Design Studio











Are you looking for already created 3D packaging models and design, where you don't need to worry about complicated studio and light settings? We are providing you opportunity to give up with long hour technical studio settings. Take a look at this fully textured scenes with professional shaders and lighting ready to use. Get your own professional packaging models, scenes and designs for personal or commercial use!

